

## Touch Panel Switch

MH-S314-EU

### Introduction

MCOHome Touch Panel Switch is a wall switch with built-in Z-Wave module. It supports basic command class, multi channel command class and multi channel association command class, which can control all associated devices synchronously. This product can be included and operated in any Z-Wave network with other Z-Wave certified devices from any other manufacturers.

### Specifications

EU: 220V 50Hz input, 3A max output (each channel)

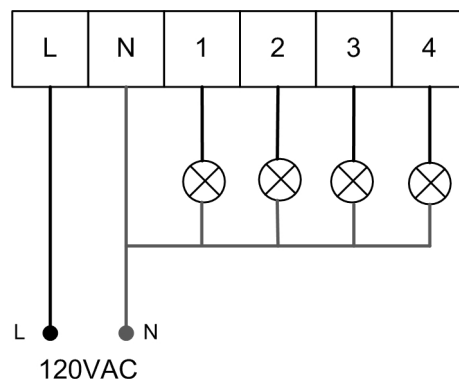
### Installation Instructions

**IMPORTANT:**

- A qualified electrician with the understanding of wiring diagrams and knowledge of electrical safety should complete the installation inside the main circuit box (normally outside your house)
- Read all instructions and documentation and save for future reference

**Step1 Preparing**

**CAUTION:** Cut off power supply at circuit breaker or fuse before installation to avoid fire, shock or death!

**Step2 Wiring**

1. Connect Hot Line to “L”.
2. Connect Neutral Line to “N”.
1. Connect Load wire to “1&4”.

## Operation

### INCLUDING the Touch Panel Switch into your network

1. Put the controller into INCLUSION mode. Follow the instructions provided by the controller manufacturer.
2. Press and hold any key on the panel for 3 seconds.

Note: If inclusion is successful, all INDICATION LEDs on the panel will light up, and all switches will turn on.

### EXCLUDING the Touch Panel Switch from your network

1. Put the controller into EXCLUSION mode. Follow the instructions provided by the controller manufacturer.
2. Press and hold any key on the panel for 3 seconds.

Note: If the exclusion is successful, all INDICATION LEDs on the panel will go out, and all switches will turn off. The exclusion will delete all association data.

### Turning on/off the Touch Panel Switch

The Touch Panel Switch can be controlled by:

- Pressing any key.
- Sending commands through controller or gateway. (the command classes which support this function are Basic Command Class, Binary Command Class, Switch All Command Class, and Multi Channel Command Class.)

### Multi Channel Control

The switch can be controlled by command “MULTI\_CHANNEL\_ENCAP” in the command class “COMMAND\_CLASS\_MULTI\_CHANNEL”.

Byte	Name
1	COMMAND_CLASS_MULTI_CHANNEL
2	MULTI_CHANNEL_CMD_ENCAP
3	Source EndPoint
4	Destination EndPoint
5	COMMAND_CLASS_SWITCH_BASIC or COMMAND_CLASS_SWITCH_BINARY
6	BASIC_SET/BASIC_GET    BINERY_SET/BINERY_GET
7	Value

### Multi Channel Association

To set association groups by the command “COMMAND\_CLASS\_MULTI\_CHANNEL\_ASSOCIATION”.

The switch supports 5 association groups. The first four groups are used for switching associated devices (switch N controlling group N), and each group can support up to 5 nodes or terminals. The 5<sup>th</sup> association group is used for reporting devices’ state to the controller if any changes happen. This group supports one node, which defaults to controller node. Please refer to “Command Class Specification” for detail information.

For the first four groups, the touch panel switch will send basic set command to related association groups when setting switch state by gateway or key-pressing. Then the switch states of associated devices and their related key will be synchronic. For the 5<sup>th</sup> group, a report will be sent to associated controller when any state changes happen in the other four groups.

### **Restoring Factory Settings**

Press and hold any key on the panel for 10 seconds for restoring factory settings. Then the node information and association data will be deleted.

**Note:** If factory settings are restored, all INDICATION LEDs on the panel will go out, and all switches will turn off with a beep of buzzer.

## **1-year Limited Warranty**

MCOHome warrants this product to be free from defects in material and workmanship under normal and proper use for one year from purchase date of the original purchaser. MCOHome will, at its option, either repair or replace any part of its products that prove defective by reason of improper workmanship or materials. THIS LIMITED WARRANTY DOES NOT COVER ANY DAMAGE TO THIS PRODUCT THAT RESULTS FROM IMPROPER INSTALLATION, ACCIDENT, ABUSE, MISUSE, NATURAL DISASTER, INSUFFICIENT OR EXCESSIVE ELECTRICAL SUPPLY, ABNORMAL MECHANICAL OR ENVIRONMENTAL CONDITIONS, OR ANY UNAUTHORIZED DISASSEMBLY, REPAIR OR MODIFICATION. This limited warranty shall not apply if: (i) the product was not used in accordance with any accompanying instructions, or (ii) the product was not used for its intended function. This limited warranty also does not apply to any product on which the original identification information has been altered, obliterated or removed, that has not been handled or packaged correctly, that has been sold as second-hand or that has been resold contrary to U.S. and other applicable export regulations.